

Publish Date: 24.05.2021 | Rev no: 44

3 Port US Style Designer CurvaPlate

The DINTEK CurvaPlate™ Designer wallplates are designed for use with DINTEK's keystone style jacks and modules.

The CurvaPlates contemporary design is ideal for use in today's office, hotel, home office, or residential environment. The clip-on front faceplate allows for the termination of the outlet before painting/decorating of walls are finished and the faceplates can be clipped on at the finish, allowing for a perfect finish that covers any fixing screws.

Features

- Comes in single and dual options
- Fits all DINTEK keystone style modules
- Front plate clipped on for quality finish, covering screw fixings
- Stylish contemporary design

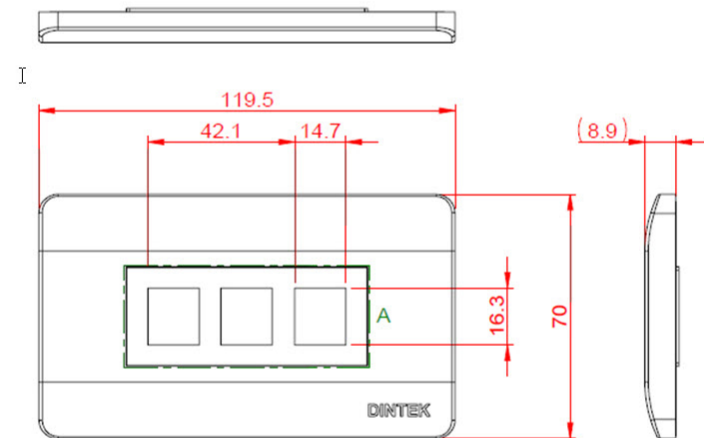
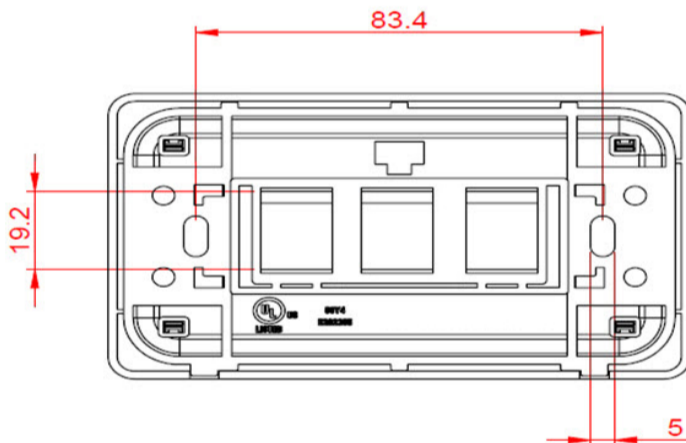
Material Construction

- Wallplate: PC, UL94V-0



Physical Characteristics

- Operating temperature range: -10°C to 60°C
- Storage temperature range: -40°C to 68°C
- Humidity: 10%~90% RH
- Dimensions: 70 x 120 mm



Ordering Information

| Product Number | Product Name | Dimensions | Qty / Box | Qty / CTN |
|----------------|--------------------------------------|-------------|-----------|-----------|
| 1303-11039 | 3 Port US Style Wallplate CurvaPlate | 70 x 120 mm | 100 | 200 |
| 1303-11031 | 2 Port US Style Wallplate CurvaPlate | 70 x 120 mm | 100 | 200 |
| 1303-11030 | 1 Port US Style Wallplate CurvaPlate | 70 x 120 mm | 100 | 200 |

DINTEK Electronic Limited

台北市中山區中山北路二段96號 嘉新第二大樓五樓N511
 N511, 5F, 2nd Bldg, No. 96, Sec. 2, Zhongshan N. Rd. Zhongshan Dist., Taipei City 10449, Taiwan
 P: +886-2-25223138 E-mail: sales@dintek.com.tw W: www.dintek.com.tw

1303-11039